

# Installation Instruction

## LED Area Light

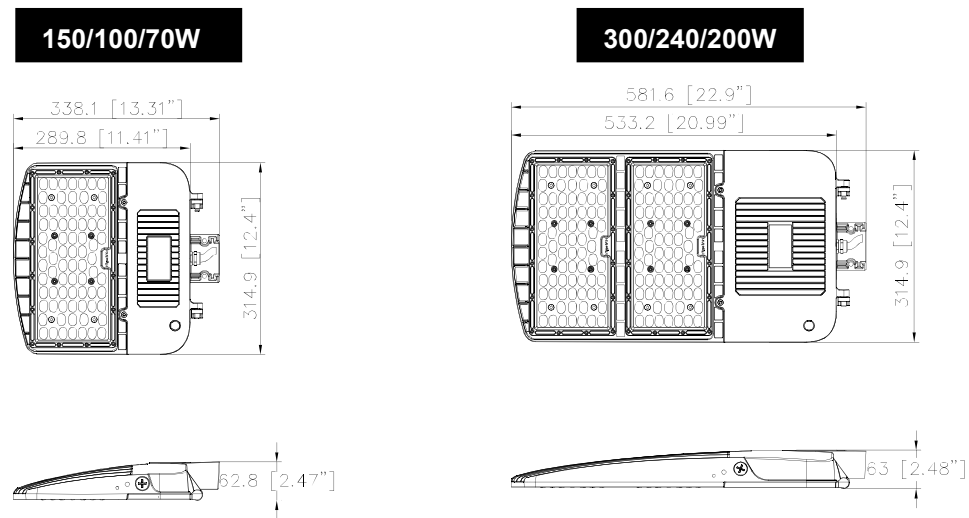
Applicable models:  
SSL-AL3/T3

### Cautions:

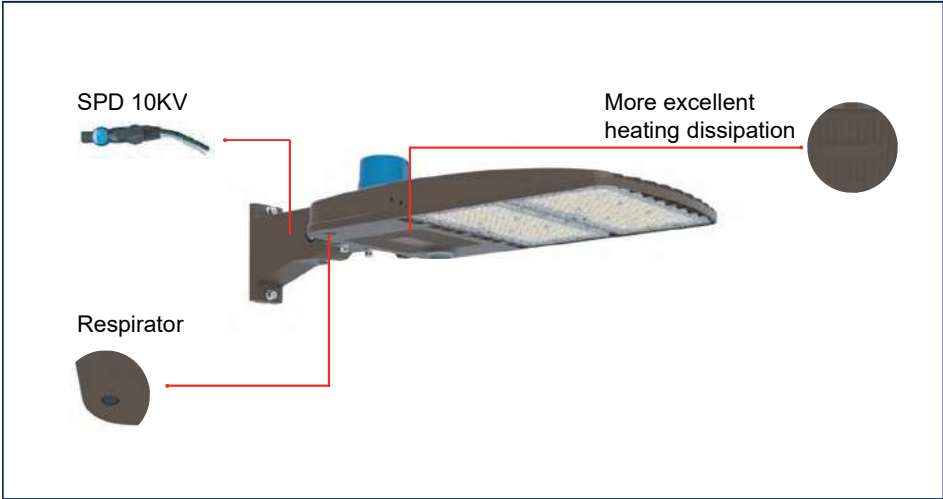
- 1 Can not use the electric generator to test the LED lamp.
- 2 Please abide by related country, regional and local law and regulations when installing this fixture.
- 3 To avoid electrical shock and damage, ensure that power is off at electrical panel before installing.

### Notices:

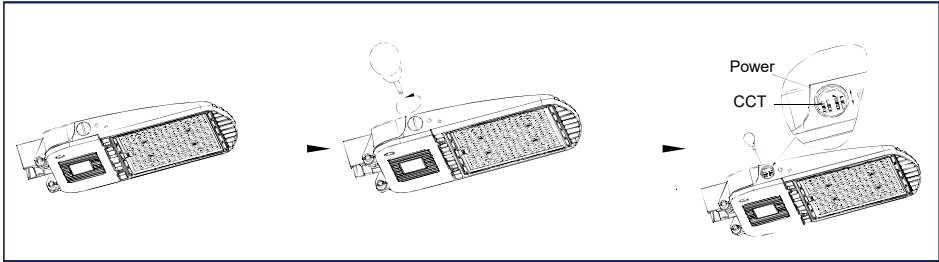
- 1 Install by a qualified licensed professional only.
- 2 This light can be used for outdoor installation.



**Extended function:**

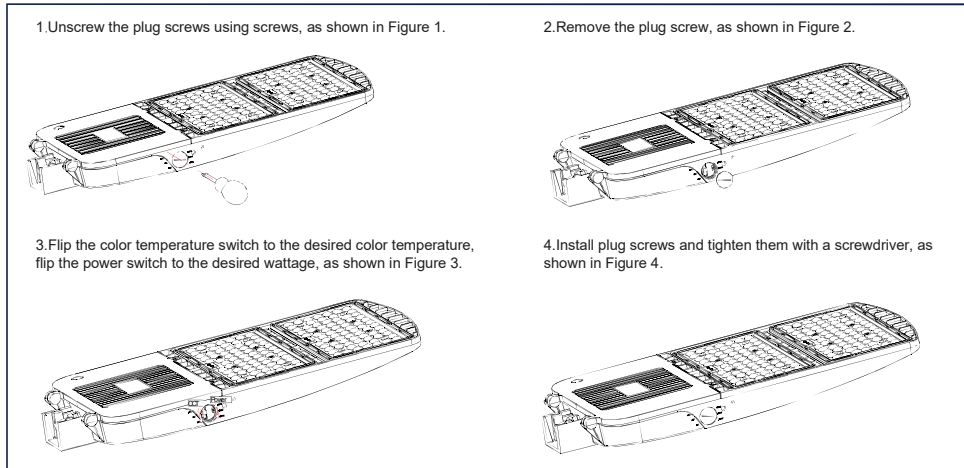


**CCT / Wattage Selectable**

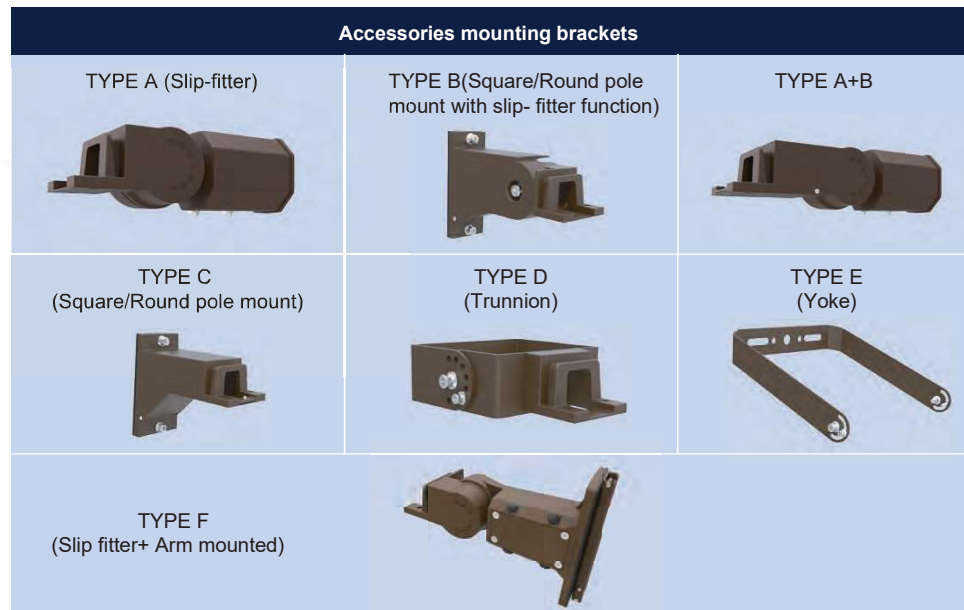


## Installation Instruction

### 1. Adjust power and color temperature installation :



## Product Application

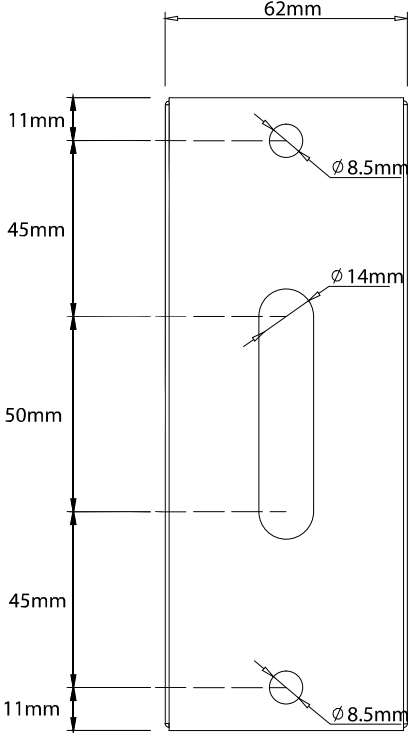
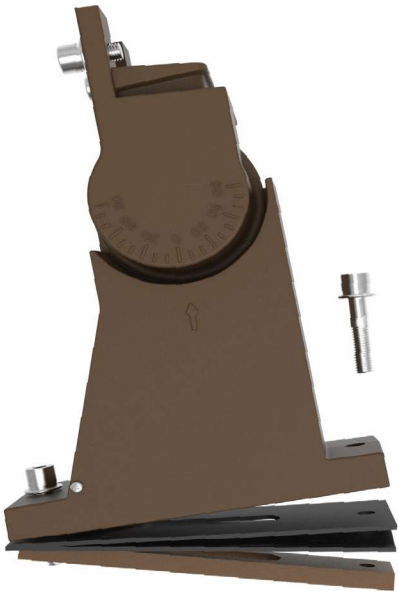


# Dimensional Drawing

Type B, Square/Round pole mount with slip- fitter function bracket

Applicable models:  
SSL-AL3/SQ-RD-POLE-MTG/DB

Use 2pcs M8\*40 screws

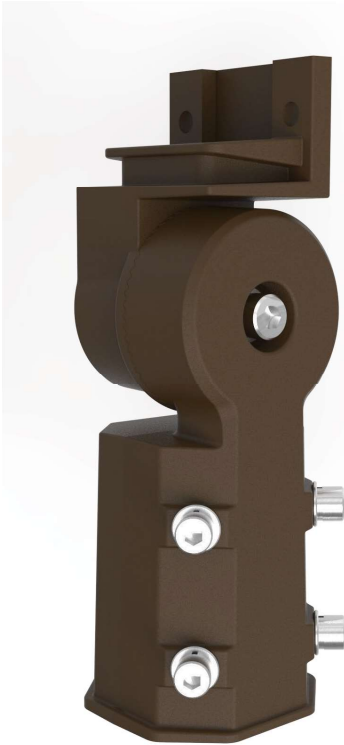


# Dimensional Drawing

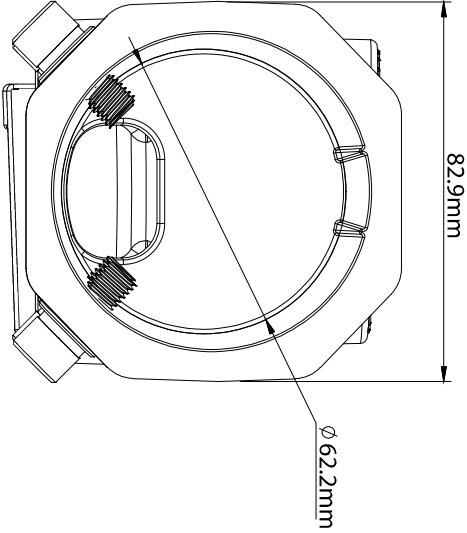
## Type A, Slip-fitter bracket

---

Applicable models:  
SSL-AL3/SSF-MTG/DB



Use 4pcs M8\*25 sc rews

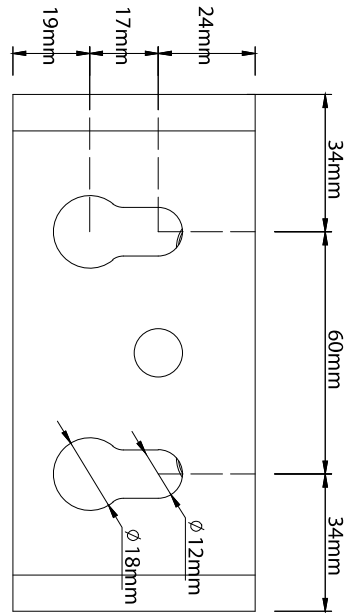
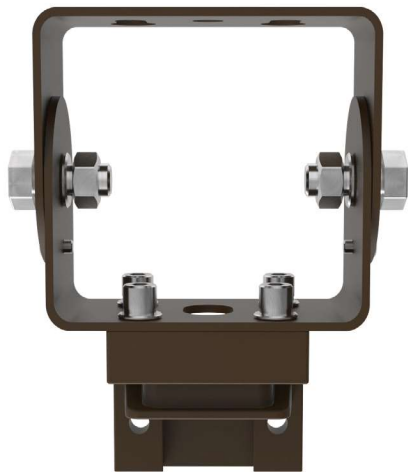


# Dimensional Drawing

## Type D, Trunnion bracket

---

Applicable models:  
SSL-AL3/TRUN-MTG/DB



# Dimensional Drawing

## Type E, Yoke bracket

Applicable models:  
SSL-AL3/YOKES-MTG/DB

